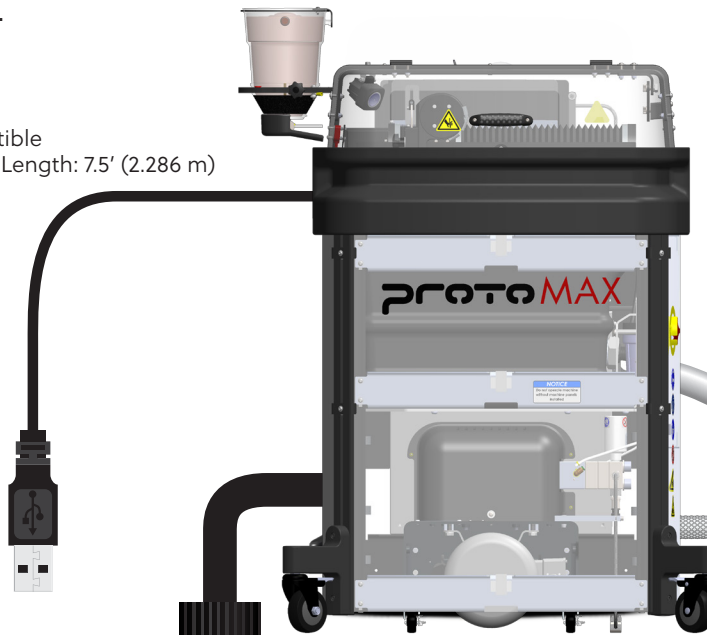


System Requirements ENVIRONMENT & LOCATION

The ProtoMAX is intended for indoor use, and must be placed on a level hard, void-free, solid, non-porous, flame-resistant surface. A concrete floor is recommended. For operator, maintenance, and utility access, a pathway width of 24" (0.610 m) minimum is recommended around all sides of the ProtoMAX. The ideal operating environment should have an ambient temperature between 50° and 90° F (10-32° C) with 95% or less humidity.

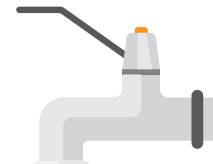
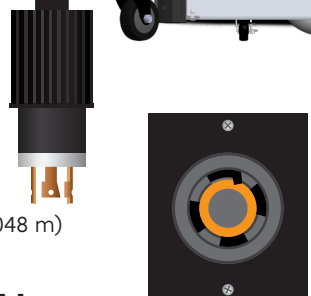
COMPUTER

USB 2.0 Compatible
Supplied Cable Length: 7.5' (2.286 m)



ELECTRICAL³

Supplied Cable Length: 10' (3.048 m)
Supplied Plug: L14-30 Plug



WATER SUPPLY¹

45 - 80° F (7-27° C)
45 - 85 psi (310 - 586 kPa)
0.75 gpm (2.8 lpm) minimum
Supplied Hose Length: 10' (3.048 m)
Customer Supplied Fitting

DRAIN²

4 gpm (15 lpm)
Supplied Hose Length: 10' (3.048 m)



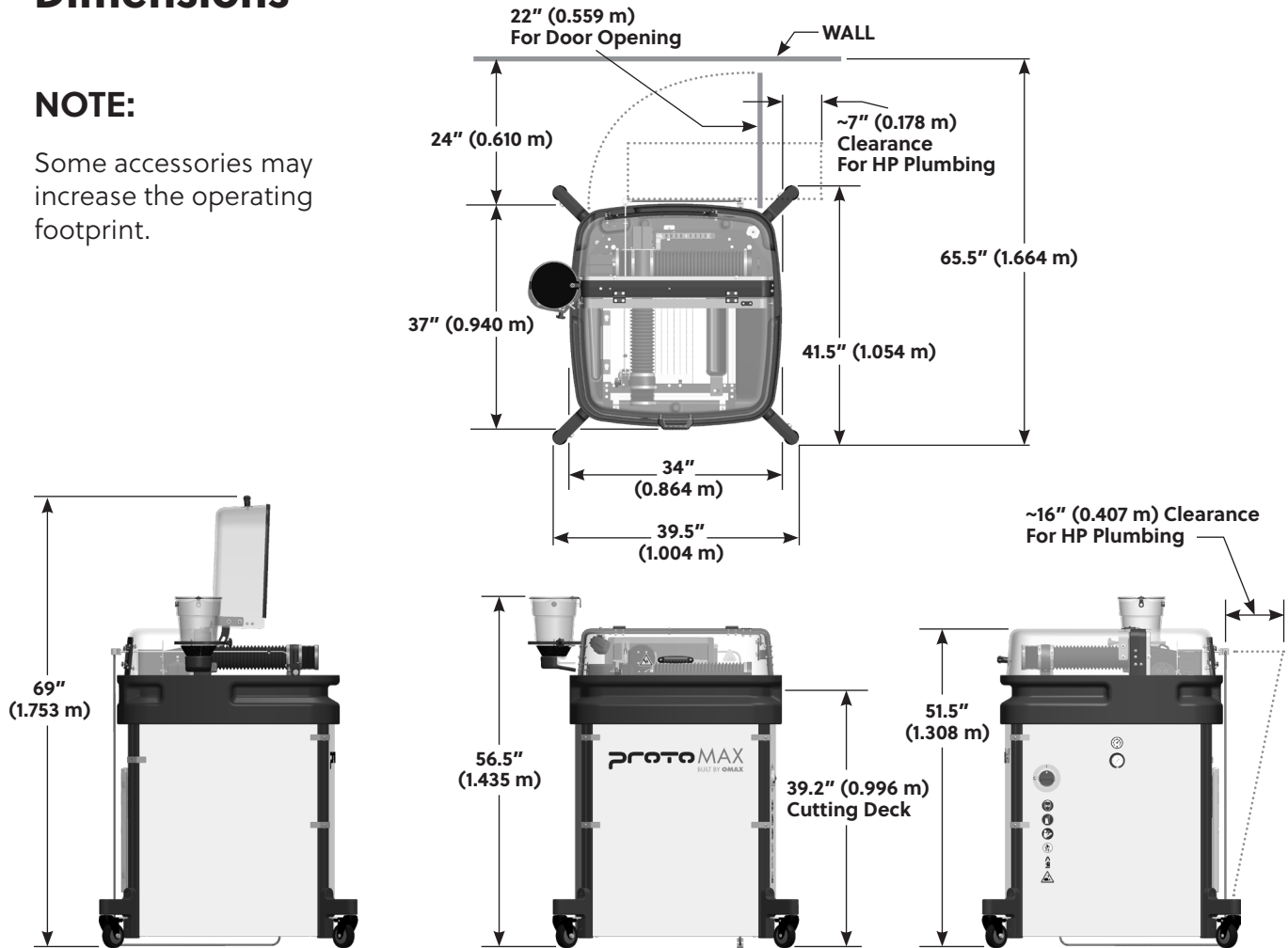
WATER & ELECTRICAL

1. The ProtoMAX requires clean water and contains a filter located near the inlet water connection. Additional water filtering may be required to prevent premature clogging of these filters if the incoming water is especially dirty. For ProtoMAX water quality recommendations, visit the ProtoMAX FAQs at protomax.com.
2. Although drain flow is minimal when waterjet cutting, it is recommended that the drain flow capacity be 4 gpm (15 lpm). This allows the user to regulate the water height in the catcher tank and also empty it without any restrictions. This also easily allows the use of the optional Drain Water Filter Tank.
3. The ProtoMAX input voltage requirement is 230-240 VAC, single phase, 50/60 Hz, 22.3-20.5 FLA, Short Circuit Current Rating (SCCR) 5 kA. In the United States, Canada, and Mexico, a dedicated 30A supply with an L14-30 receptacle properly installed and grounded by a qualified electrician or service personnel in accordance with national, state, and local codes is required. For countries other than United States, Canada and Mexico, OMAX does not supply a suitably rated industrial grade plug. A suitably rated plug and receptacle in accordance to standards IEC 60309-1 and IEC60309-2 may fulfill this requirement. You must plug the cord into a matching outlet that is properly installed and grounded in accordance with all local codes and ordinances. The ProtoMAX computer requires connection to a separate 100-240 VAC, 50/60Hz power source receptacle.

Features & Dimensions

NOTE:

Some accessories may increase the operating footprint.



UNPACKING & LIFT REQUIREMENTS

The ProtoMAX is shipped on a 49" x 47" (1.245 x 1.194 m) square pallet in a 62" (1.575 m) tall crate on a liftgate truck. The total palletized weight is approximately 750 lbs (341 kg) and consists of the table (~330 lbs; 150 kg), pump (~200 lbs; 91 kg), accessories, a 55 lb (25 kg) bucket of garnet, and packing. It is recommended that you have a pallet floor jack at minimum to maneuver the container near its final location to simplify unpacking and installation. The table and pump are on casters to aid in moving those assemblies into location. It is recommended to use at least two people to offload the contents from the pallet.